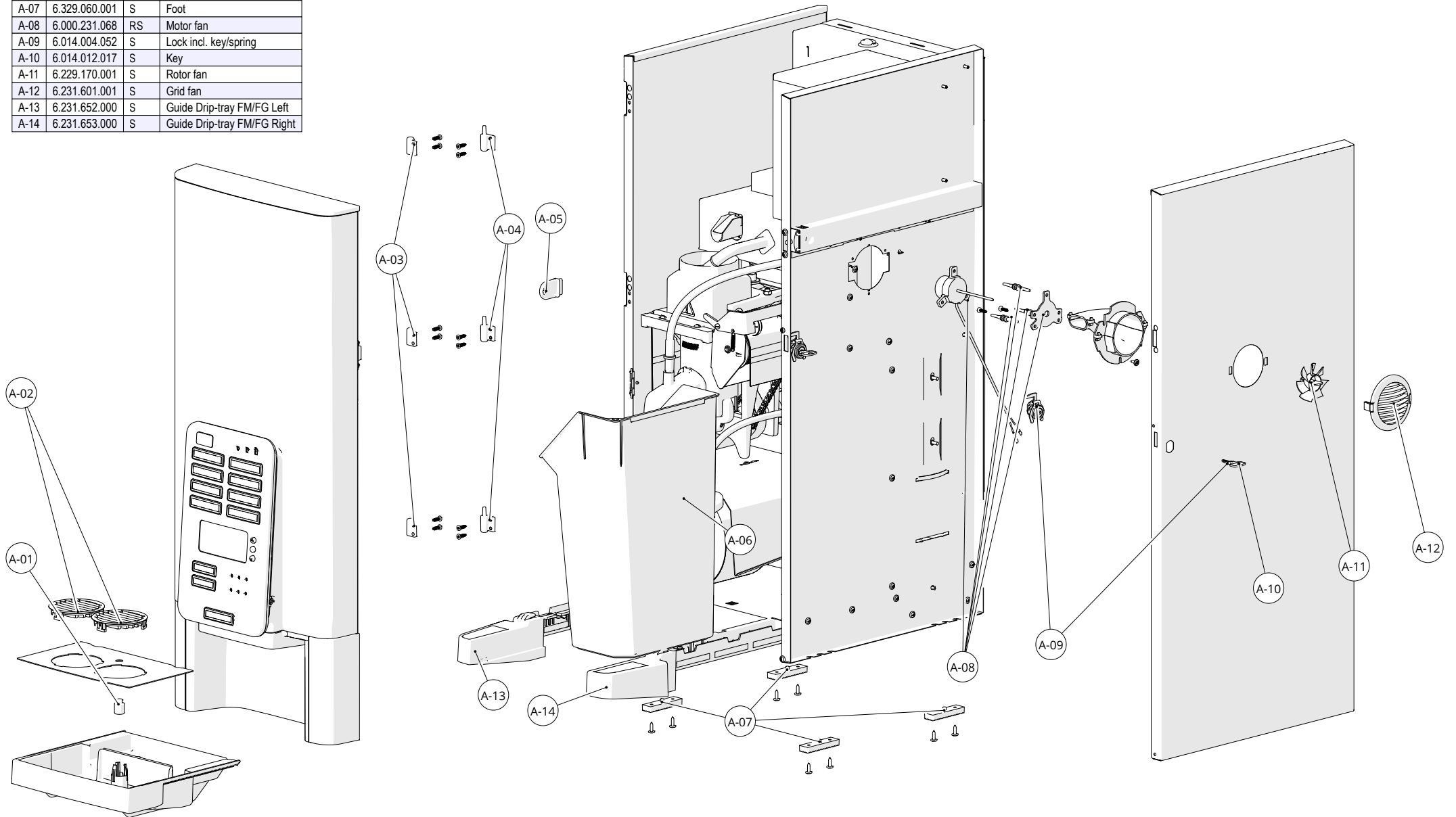
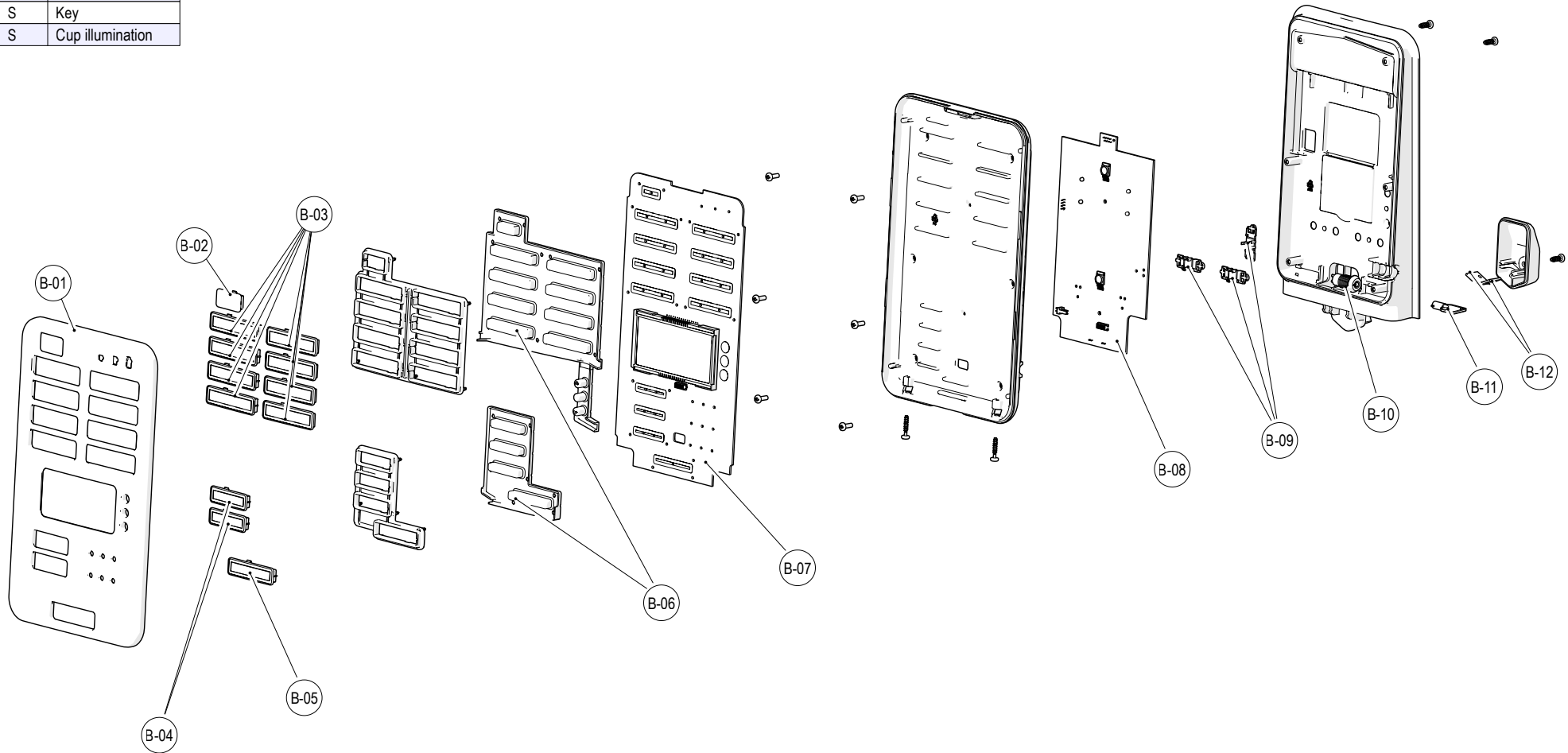


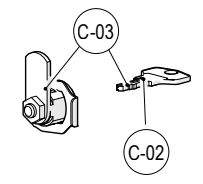
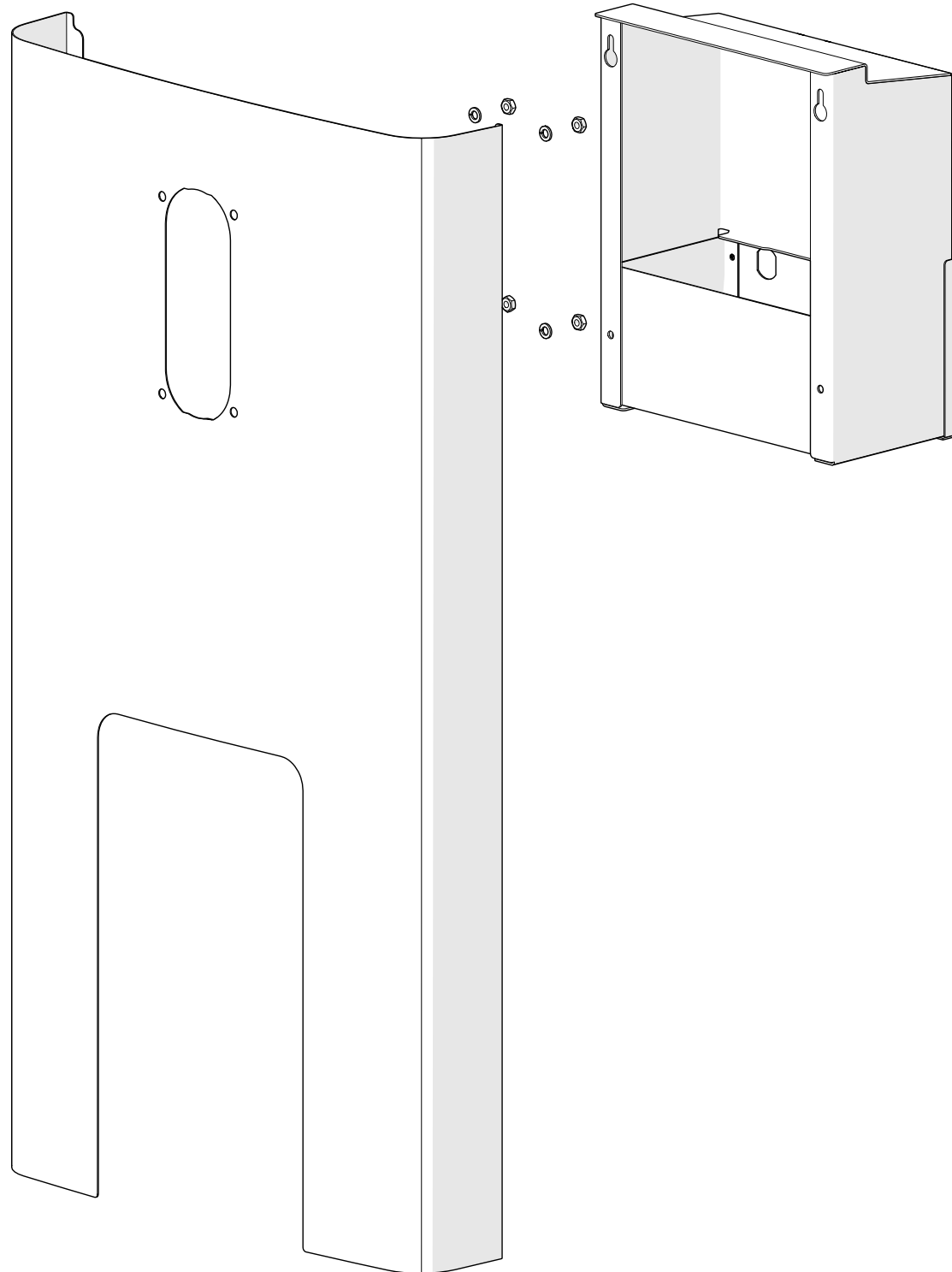
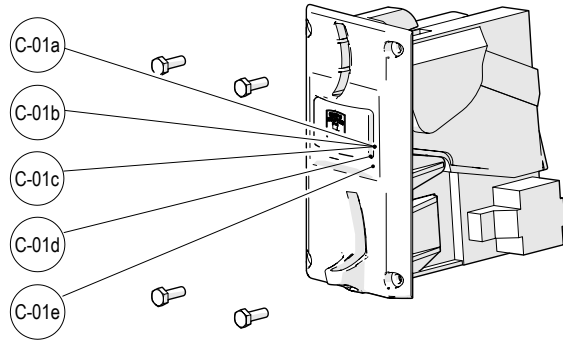
ID	Service parts	S-RS	Description
A-01	6.229.116.001	S	Float drip-tray
A-02	6.231.600.001	S	Grid for drip-tray
A-03	6.231.573.001	S	Hinge (upper part)
A-04	6.231.574.001	S	Hinge (lower part)
A-05	6.231.044.001	S	Service key
A-06	6.231.185.001	S	Litterbin
A-07	6.329.060.001	S	Foot
A-08	6.000.231.068	RS	Motor fan
A-09	6.014.004.052	S	Lock incl. key/spring
A-10	6.014.012.017	S	Key
A-11	6.229.170.001	S	Rotor fan
A-12	6.231.601.001	S	Grid fan
A-13	6.231.652.000	S	Guide Drip-tray FM/FG Left
A-14	6.231.653.000	S	Guide Drip-tray FM/FG Right



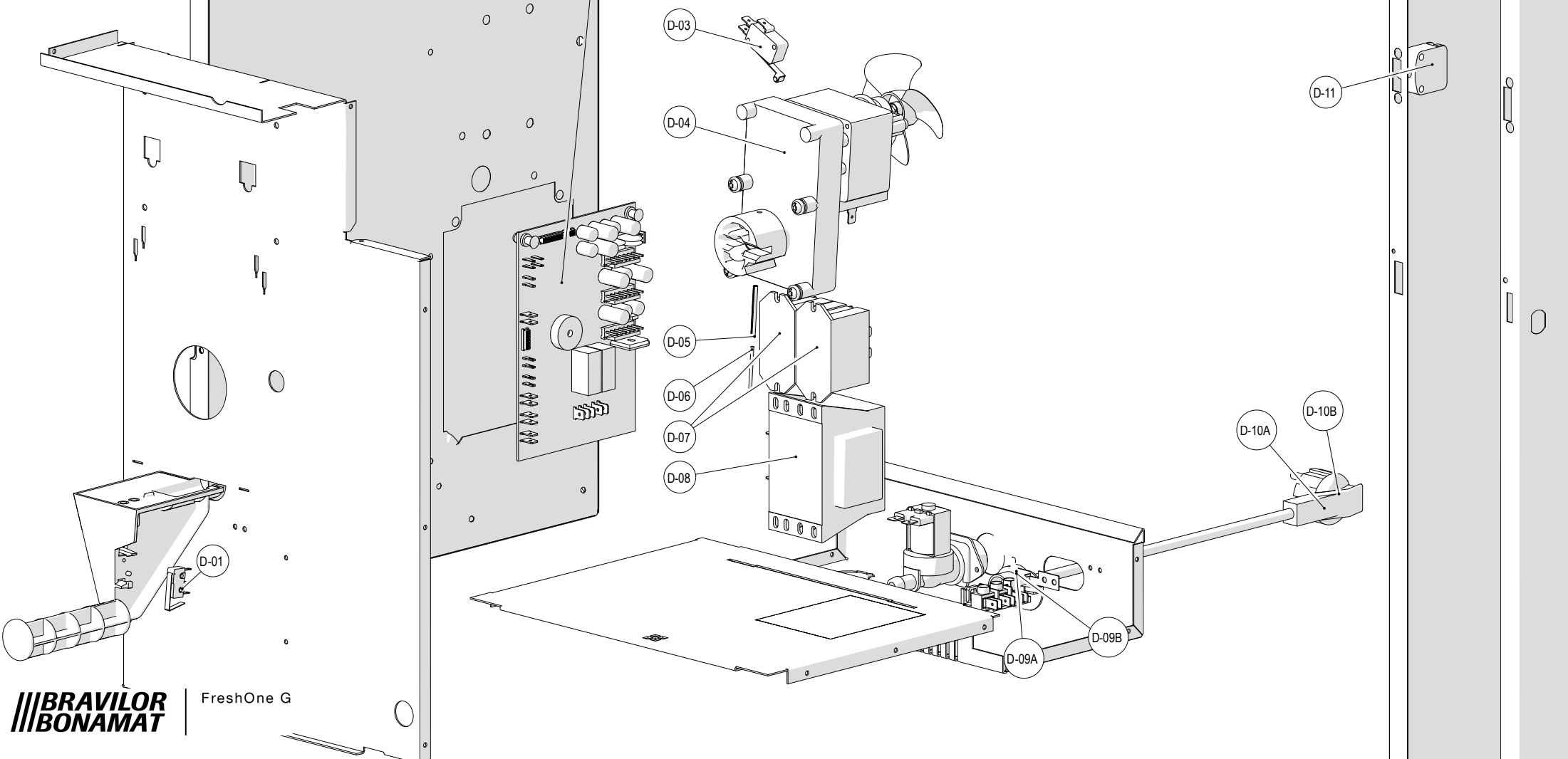
ID	Service parts	S-RS	Description
B-01	6.231.622.000	S	Service panel
B-02	6.231.593.001	S	Push button
B-03	6.231.594.000	S	Push button
B-04	6.231.595.000	S	Push button
B-05	6.231.596.000	S	Push button
B-06	6.231.623.001	S	Keys (assy)
B-07	6.329.301.000	RS	Keyboard (buttons)
B-08	6.329.302.000	RS	Keyboard (main-)
B-09	6.214.105.001	RS	Switch (impulse)
B-10	6.000.231.039	S	Key switch
B-11	6.004.017.014	S	Key
B-12	6.329.308.000	S	Cup illumination



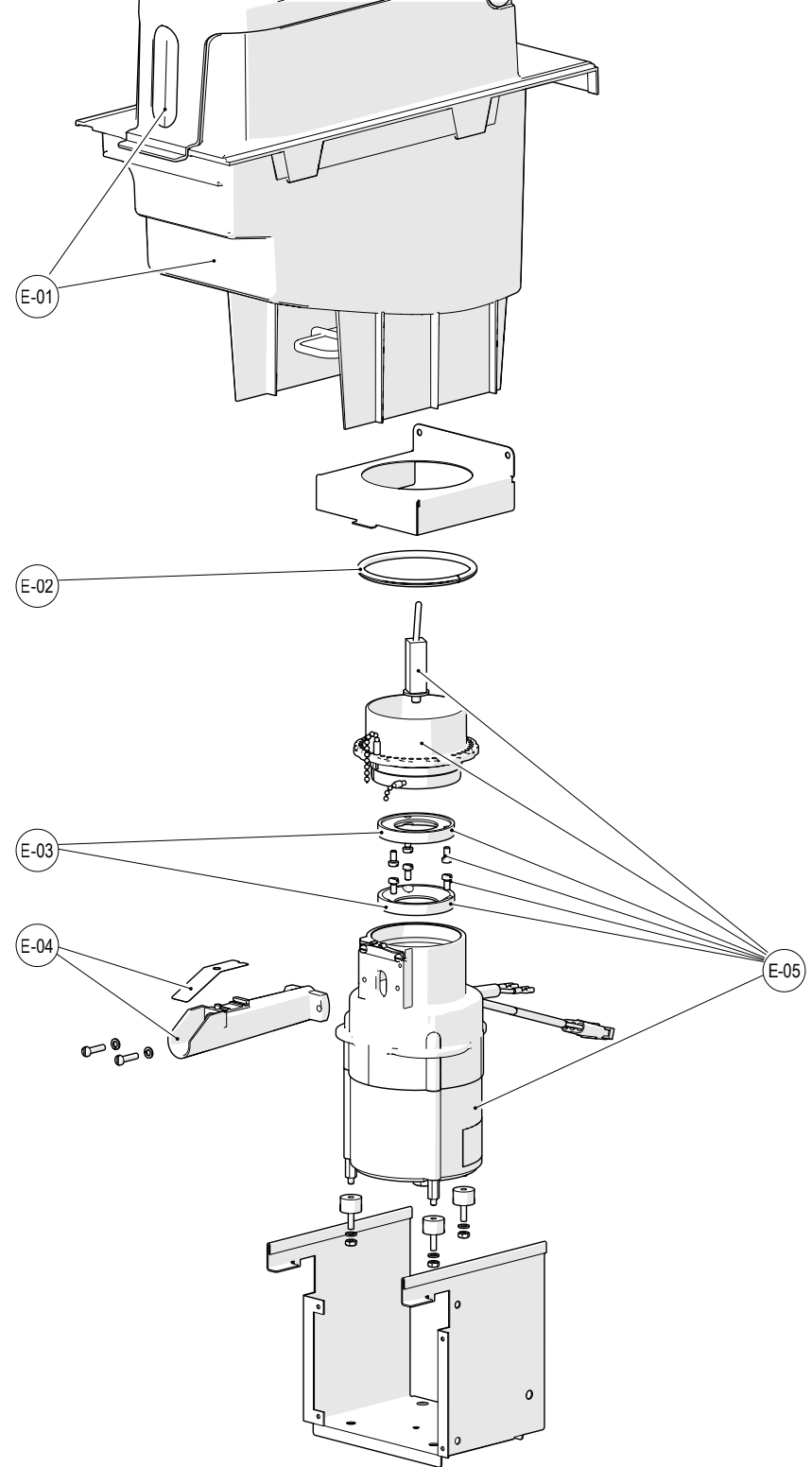
ID	Service parts	S-RS	Description
C-01a	6.016.009.039	S	Coin mechanism Euro/GB
C-01b	6.016.009.040	S	Coin mechanism Euro/S
C-01c	6.016.009.041	S	Coin mechanism Euro/N
C-01d	6.016.009.042	S	Coin mechanism Euro/DK
C-01e	6.016.009.043	S	Coin mechanism AUS
C-02	6.014.012.019	S	Key
C-03	6.014.004.050	S	Lock incl. keys/spring



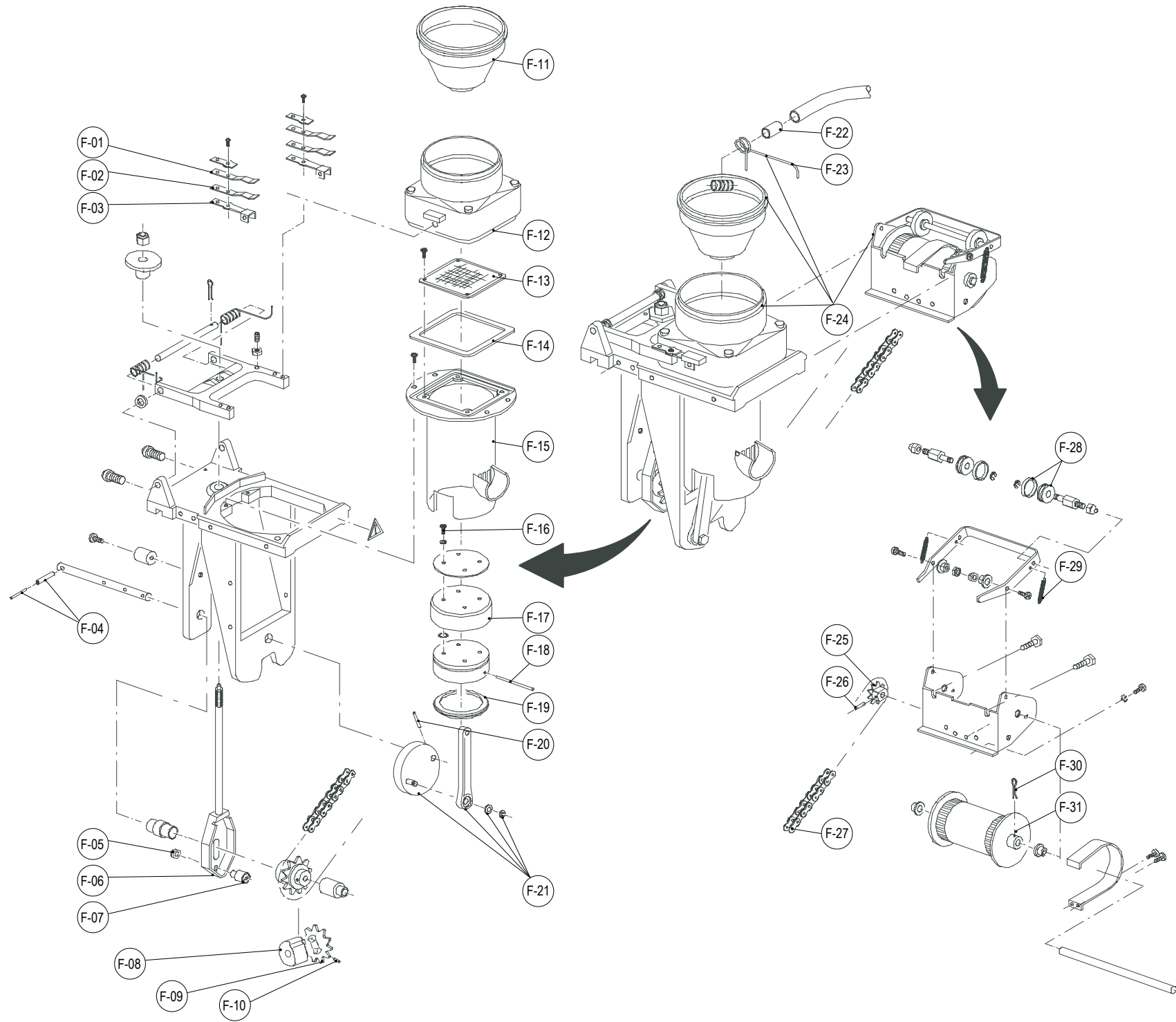
ID	Service parts	S-RS	Description
D-01	6.004.003.203	S	Micro switch
D-02	6.xxx.xxx.xxx	RS	Mainboard + software
D-03	6.004.003.044	RS	Micro switch 250V/15A
D-04	6.000.231.070	RS	Brewer motor
D-05	6.001.061.002	RS	Spring pin
D-06	6.001.061.008	RS	Locking pin
D-07	6.004.002.089	RS	Relay
D-08	6.004.011.082	RS	Trafo 240V 20V/48VA
D-09A	6.006.001.101	S	Cord inlet with pull relief (EU)
D-09B	6.006.001.109	S	Cord inlet with pull relief (GB)
D-10A	6.003.012.060	S	Connection cord (EU)
D-10B	6.003.012.118	S	Connection cord (GB)
D-11	6.004.003.043	RS	Door switch



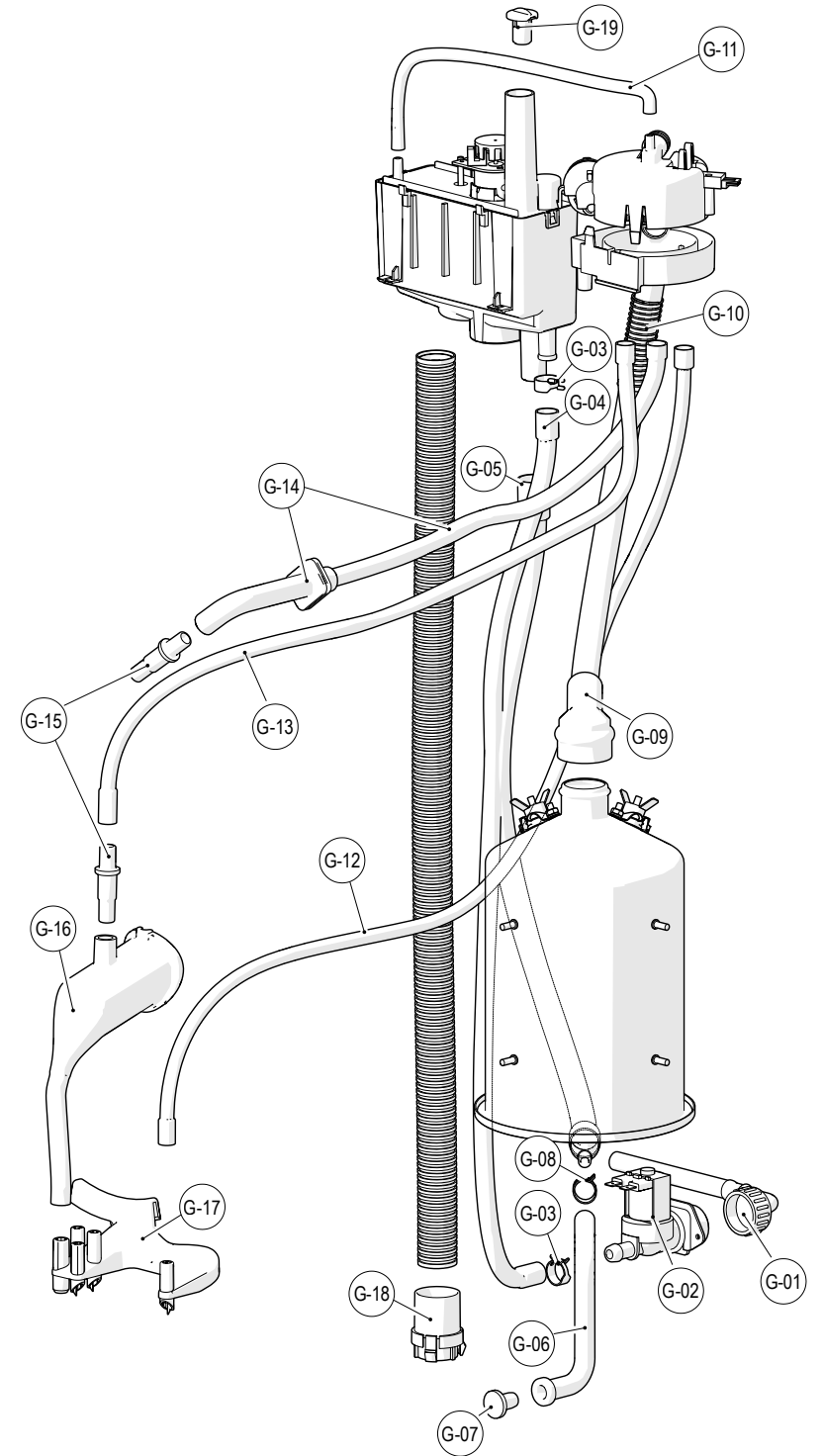
ID	Service parts	S-RS	Description
E-01	6.000.231.087	S	Bean canister
E-02	6.231.393.001	S	Vibration damper
E-03	6.030.079.103	S	Set grind discs
E-04	6.231.429.000	S	Grinder outlet compound
E-05	6.030.079.002	RS	Grinder



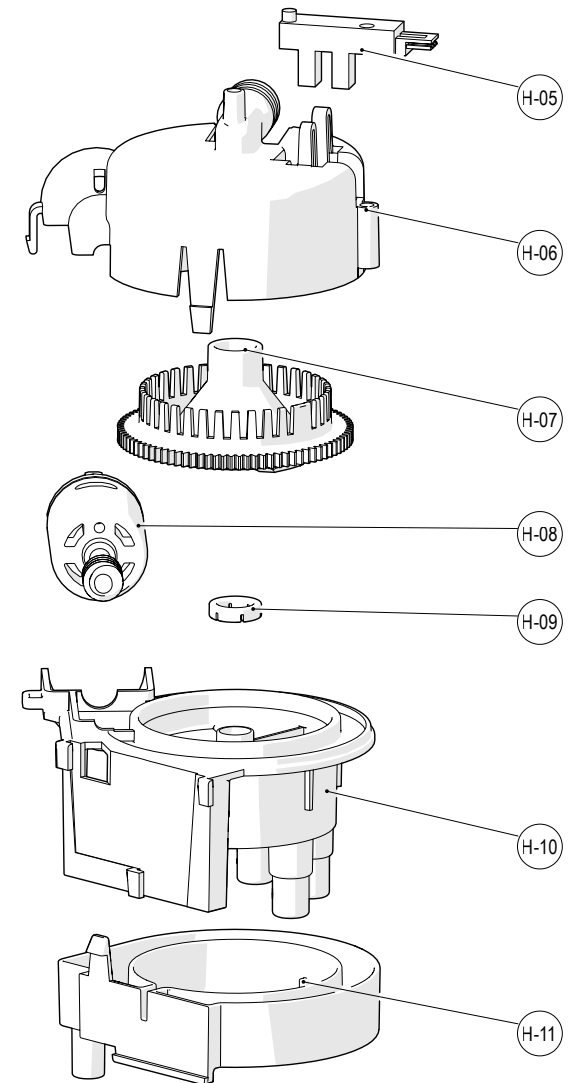
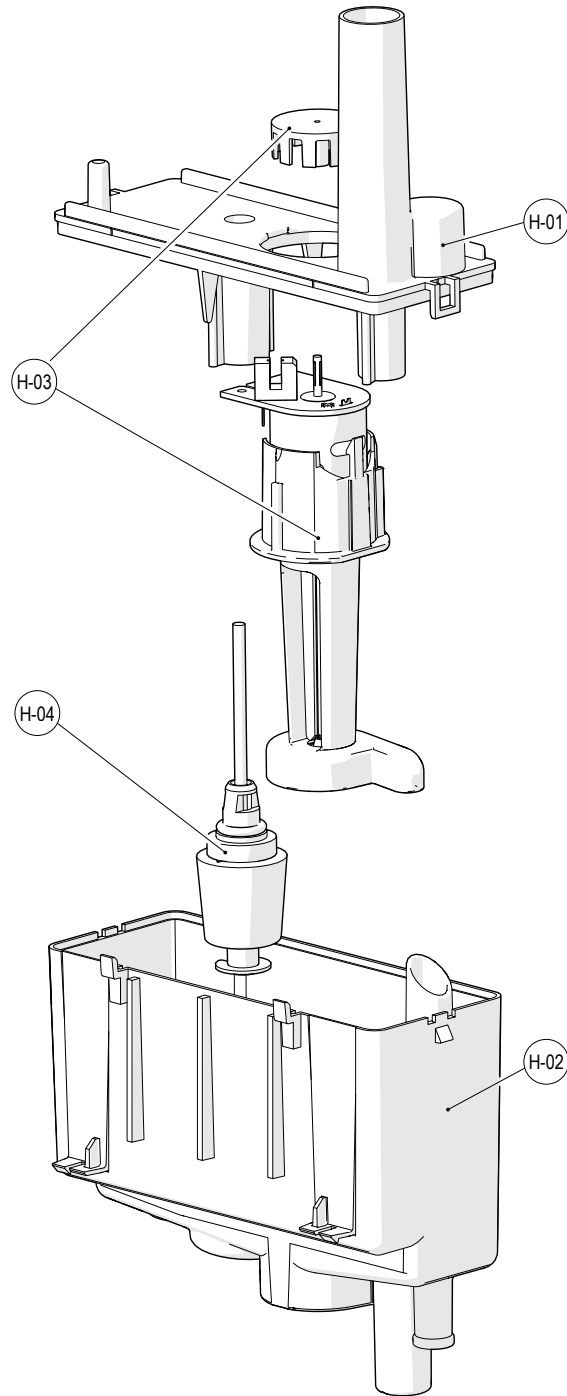
ID	Service part	S-RS	Description
F-01	6.030.061.132	RS	Springpin
F-02	6.030.061.130	S	Spring brewerchamber
F-03	6.030.061.131	RS	Pressure spring
F-04	6.030.061.125	S	Split pin
F-05	6.030.061.113	RS	Nut
F-06	6.030.061.112	RS	Pull rod
F-07	6.030.061.111	RS	Cam follower
F-08	6.030.061.122	S	Drive cam
F-09	6.030.061.123	S	Chain wheel
F-10	6.030.061.110	RS	Spring pin
F-11	6.030.061.128	S	Funnel
F-12	6.030.061.133	RS	Brew chamber
F-13	6.030.061.102	RS	Filter screen
F-14	6.030.061.103	RS	Seal rubber
F-15	6.030.061.104	RS	Cylinder
F-16	6.030.061.105	RS	Screw
F-17	6.030.061.106	RS	Seal
F-18	6.030.061.107	RS	Spring pin
F-19	6.030.061.121	RS	Rubber ring
F-20	6.030.061.108	RS	Spring pin
F-21	6.030.061.109	RS	Crank-driving rod
F-22	6.236.257.001	S	Outlet
F-23	6.030.061.124	S	Spring
F-24	6.030.075.001	S	Brewer
F-25	6.030.061.126	S	Chain wheel
F-26	6.030.061.127	S	Split pin
F-27	6.030.061.129	S	Chain
F-28	6.030.061.116	RS	Plastic wheel Brewer
F-29	6.030.061.117	RS	Split pin
F-30	6.030.061.118	RS	Split pin
F-31	6.030.061.119	RS	Tape drum



ID	Service parts	S-RS	Description	mm
G-01	6.000.205.111	S	Connection tube	
G-02	6.016.001.070	RS	Magnetic valve 2l/min 24V	
G-03	6.001.079.003	S	Tube clamp 15.6 mm	
G-04	6.019.033.014	S	Silicone tube 9.5 x 3.0	630
G-05	6.019.033.013	S	Silicone tube 11,5 x 3,0	480
G-06	6.263.081.001	S	Tube boiler drain	
G-07	6.006.002.018	S	Tightening plug 10.5 mm	
G-08	6.001.079.001	S	Tube clamp 12.1 mm	
G-09	6.229.774.001	S	Tube	
G-10	6.014.017.007	S	Spring	
G-11	6.019.033.009	S	Silicone tube 7 x 4	270
G-12	6.019.033.004	S	Silicone tube 7,5 x 2	730
G-13	6.019.033.004	S	Silicone tube 7,5 x 2	550
G-14	6.231.660.001	S	Tube	330
G-15	6.231.672.001	S	Tube section	
G-16	6.231.183.001	S	Outlet brewer	
G-17	6.231.638.001	S	Outlet bracket	
G-18	6.229.760.001	S	Nipple	
G-19	6.202.846.001	S	Descaling plug	



ID	Service parts	S-RS	Description
H-01	6.229.334.001	S	Lid pumpfloat tank
H-02	6.229.335.001	S	Pumpfloat tank
H-03	6.000.229.198	RS	Motor float tank (assy)
H-04	6.229.546.001	S	Float float tank
H-05	6.004.026.001	RS	Light sensor
H-06	6.231.121.001	S	Lid water selector
H-07	6.231.120.001	RS	Water rotation disk
H-08	6.000.231.022	RS	Motor water selector (assy)
H-09	6.229.761.001	S	Water sealing ring
H-10	6.231.131.001	S	Outlets (3) water selector
H-11	6.231.259.001	S	Drip-tray water selector



ID	Service parts	S-RS	Description
I-01	6.016.008.064	RS	High temperature safety switch
I-02	6.016.008.063	S	Spring high temp safety (4PC)
I-03	6.231.229.000	RS	Temperature sensor
I-04	6.000.229.025	RS	Flow boiler 230V/2150W
I-05	6.231.191.001	S	Ring
I-06	6.231.132.001	S	Supply boiler

